

JANUS CONTROL VALVES

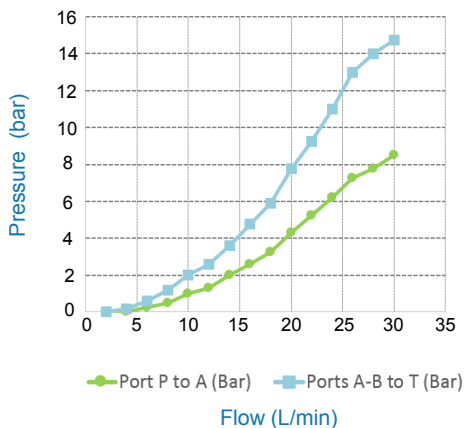
4 PORT 3 POSITION MANUAL CONTROL VALVE

A patented range of valves which control the directional flow of corrosive fluids in hydraulic systems. Designed For operation on tap water to EU directive 98/83/EC. The valves offer high efficiency with minimal energy input for actuation. Also available in 4/2 & 3/2 control functions; please see data sheet for further information. Various porting configurations including stand alone (BSPP), TWHC manifold or Cetop 3 are available. Please see manifolds data sheet for options and cavity details.

SPECIFICATION	
Max Inlet Pressure	200 Bar
Operating Pressure Range	0 to 160 Bar
Flow Range	0-30 L/min
Flow Characteristics	Cv Rate 0.62 Kv Rate 0.75
Feed Gallery Diameter	6mm
Porting	1/4" BSP (Parallel)
Construction Materials	A.I.S.I 316/Polymer Duplex 2205 available on request
Media	Water



Flow Characteristics



Actuation

Manual actuation available in spring return or detent position. We also offer a combination of actuation and return; please contact TWHC for further information.

Centre Position

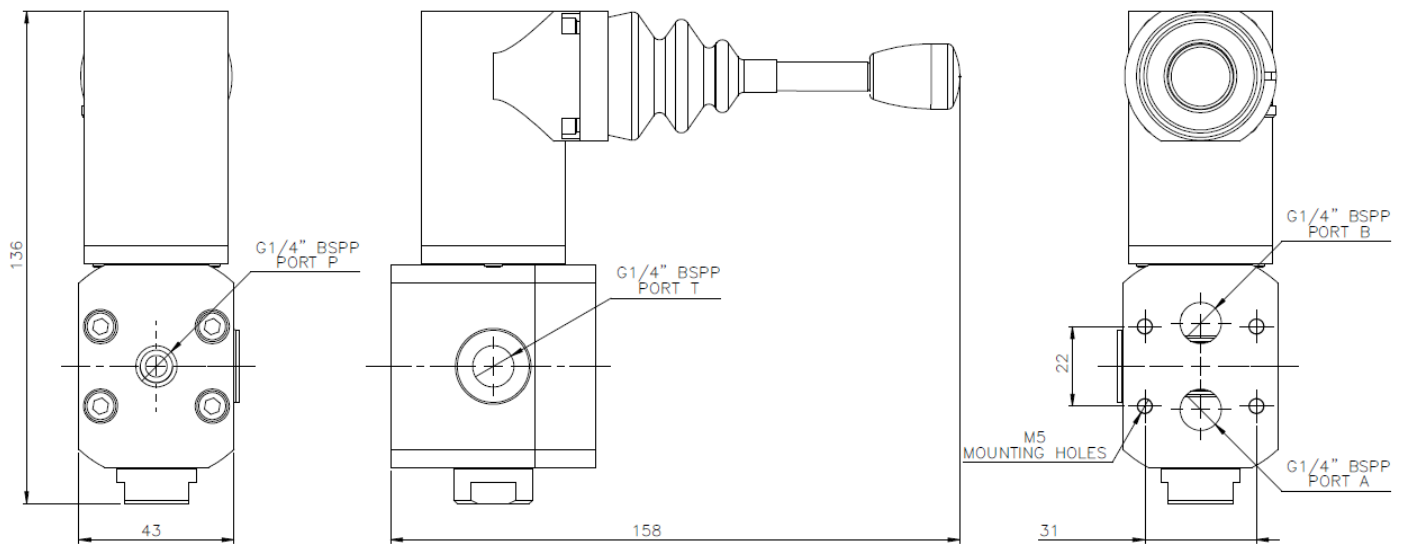
A full all ports blocked at the centre position is not possible with this size of valve. The valves are not offered for 100% seal performance. If load holding or leak free performance is required then the use of a PO Check valve to mount directly onto the A & B port face is advised.

ORDERING CODES	STANDARD BUILD	MANIFOLD MOUNT	CETOP MOUNT
<p>Centre Position Closed P AB&T connected</p>	206BGSW	2M06BGSW	2C06BGSW
<p>Centre Position All Ports connected</p>	212BGSW	2M12BGSW	2C12BGSW

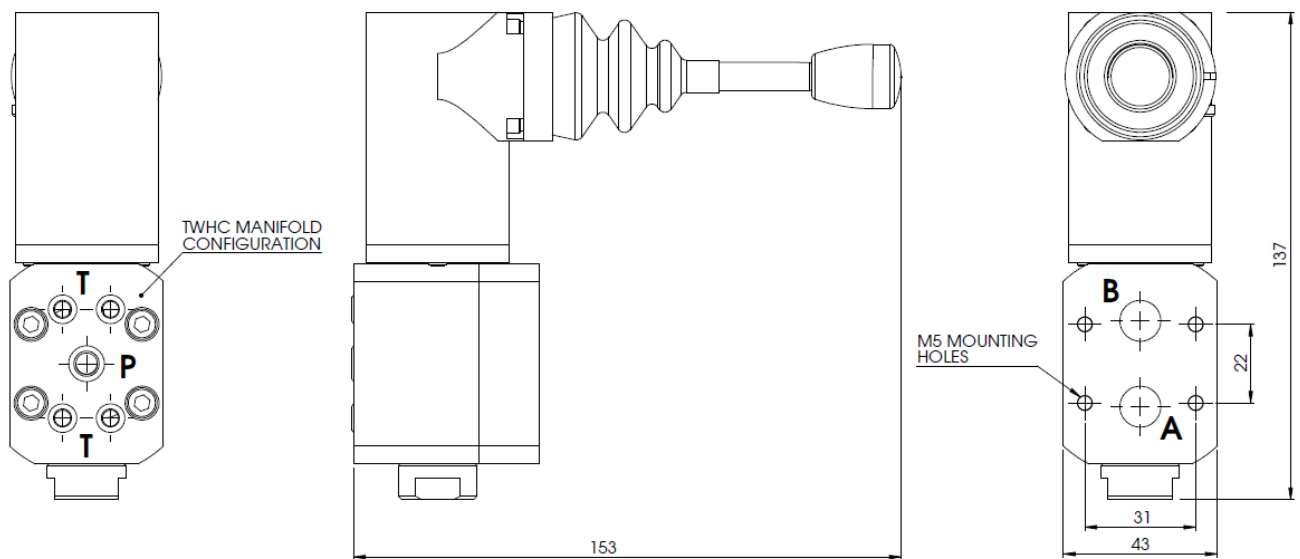
JANUS CONTROL VALVES

4 PORT 3 POSITION MANUAL CONTROL VALVE

206BGGW & 212BGGW
206BGSW & 212BGSW



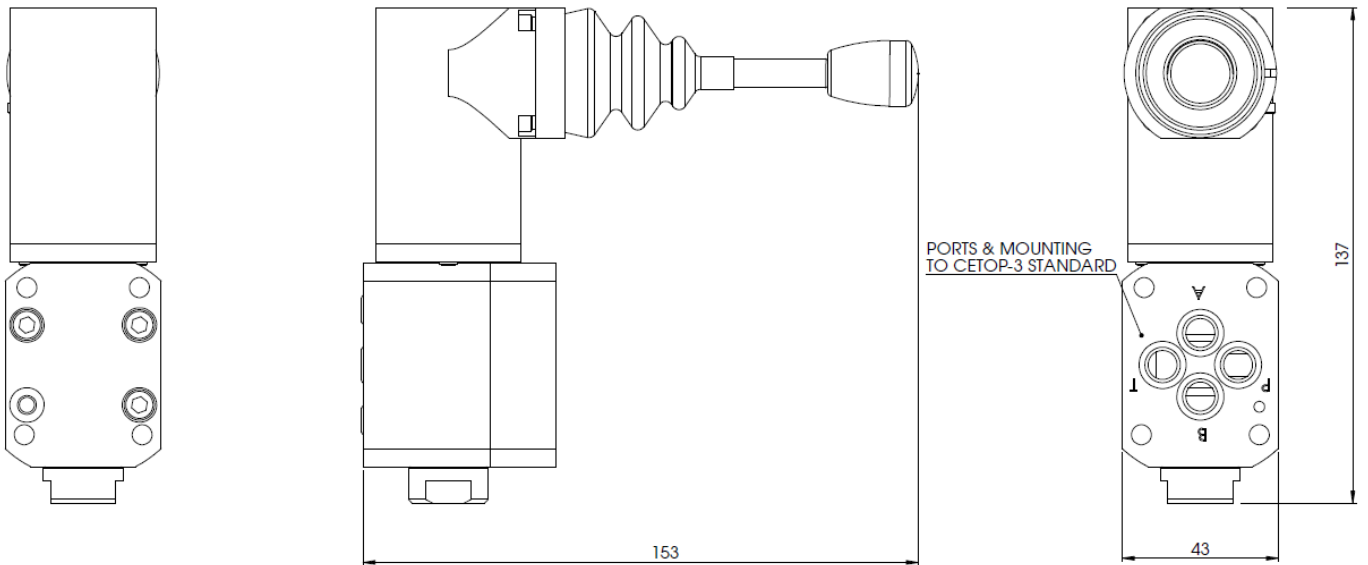
2M06BGGW & 2M12BGGW
2M06BGSW & 2M12BGSW



JANUS CONTROL VALVES

4 PORT 3 POSITION
MANUAL CONTROL VALVE

2C06BGGW & 2C12BGGW
2C06BGSW & 2C12BGSW



FM 87247