

JANUS CONTROL VALVES

PILOT OPERATED CHECK VALVE

SPECIFICATION	
Max Inlet Pressure	200 Bar
Operating Pressure Range	0 to 160 Bar
Flow Range	0-30 L/min
Flow Characteristics	3:1 CV Rate 0.62 Kv Rate 0.75 9:1 Cv Rate 0.41 Kv Rate 0.50
Feed Gallery Diameter	3:1 6mm 9:1 4mm
Porting	1/4" BSP (Parallel)
Construction Materials	A.I.S.I 316/Polymer
Media	Water
Cracking Pressure Free Flow	6 bar standard 1 bar available on request

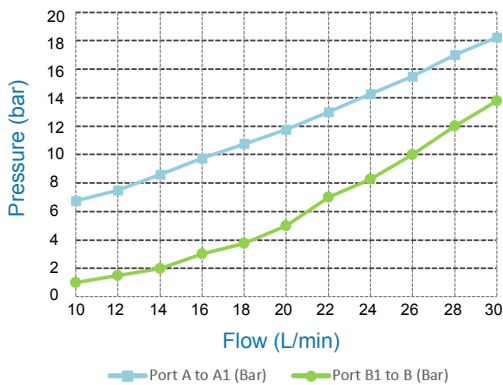
Available as an individual valve or as a bolt on option to the 4/3 and 4/2 directional control valve, the PO Check offers bubble tight 100% seal operation for load or pressure holding applications.

To accommodate for a wide range of pilot operating pressures, the valves are offered in 3:1 and 9:1 pilot to seal area ratios. This will allow the actuation of the valve to be controlled with minimum input and prevent operation from residual pressures.



They are offered as either single or double port checked. The valve can be used for locking a water cylinder in a stationary position. Actuation can only occur when the required pilot pressure is available. A port adaptor block is also available for remote use, e.g. cylinder mounted.

Flow Characteristics

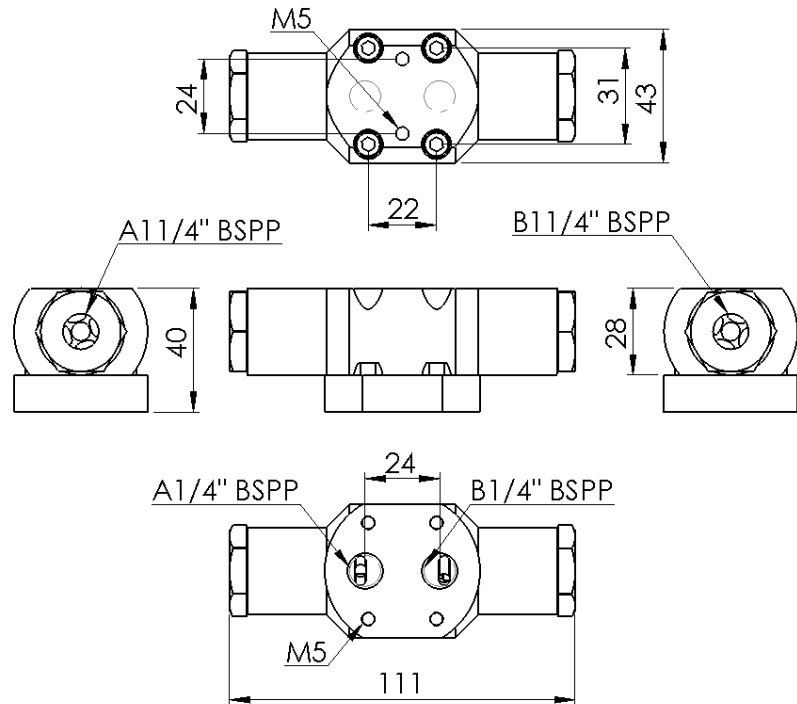
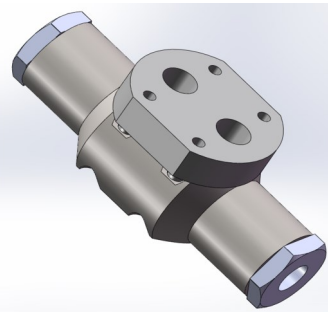


ORDERING CODES	STANDARD BUILD	MANIFOLD MOUNT
<p>Double PO Check Valve 3:1 Ratio</p>	213BJSW	2M13BJSW
<p>Single PO Check Valve 3:1 Ratio</p>	211BJSW	2M11BJSW
<p>Double PO Check Valve 9:1 Ratio</p>	222BJSW	2M22BJSW
<p>Single PO Check Valve 9:1 Ratio</p>	219BJSW	2M19BJSW

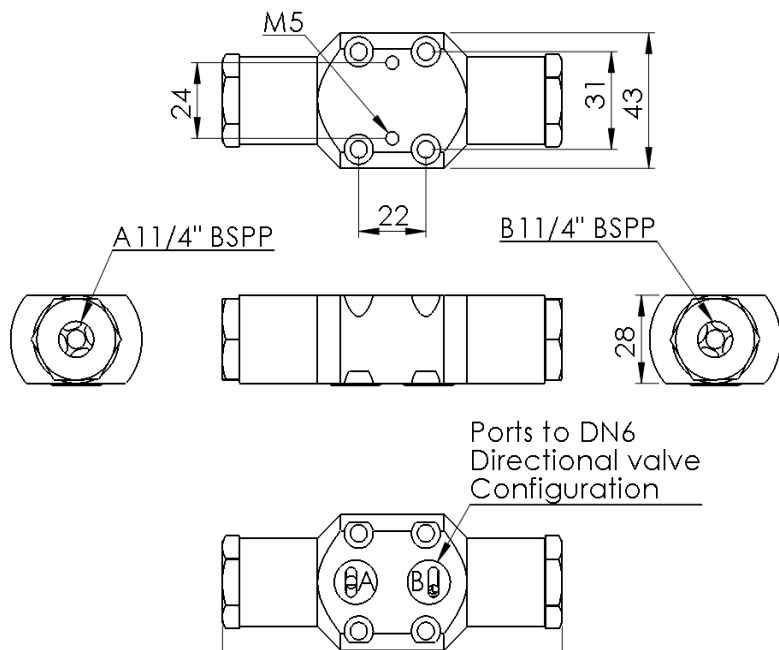
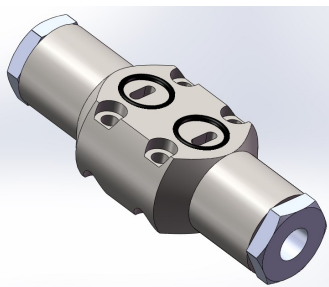
JANUS CONTROL VALVES

PILOT OPERATED
CHECK VALVE

213BJSW & 222BJSW



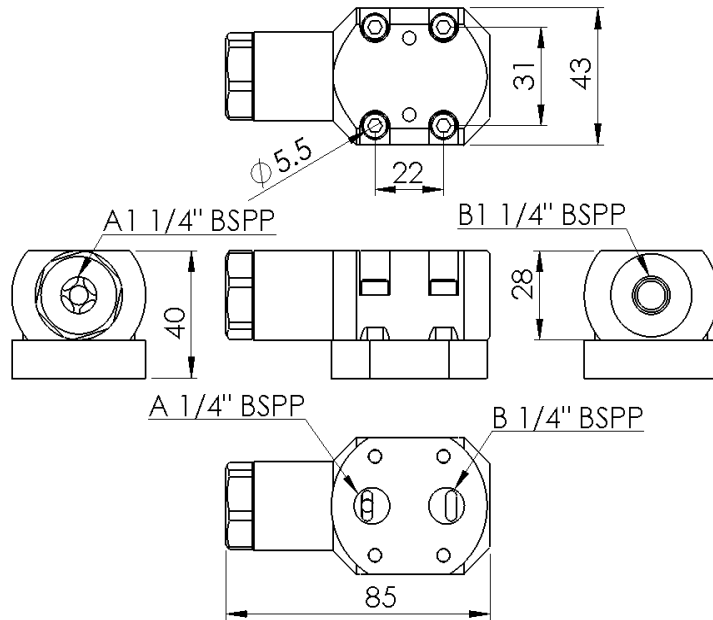
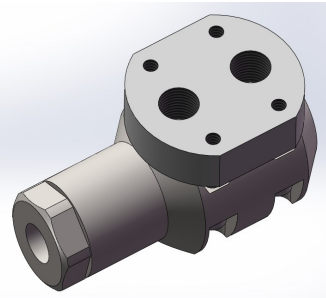
2M13BJSW & 2M22BJSW



JANUS CONTROL VALVES

PILOT OPERATED
CHECK VALVE

211BJSW & 219BJSW



2M11BJSW & 2M19BJSW

