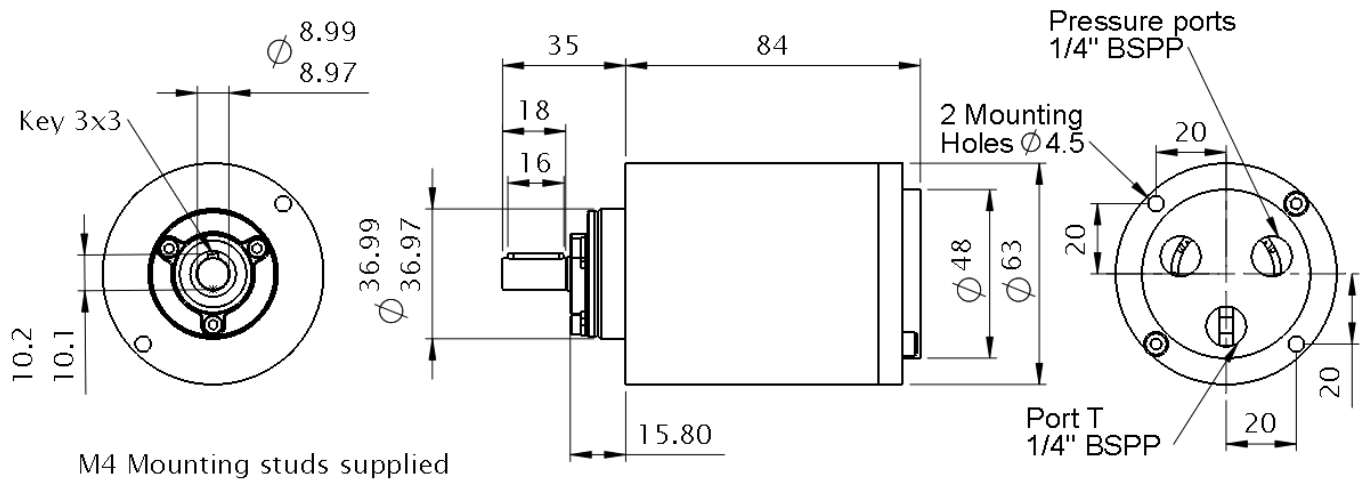
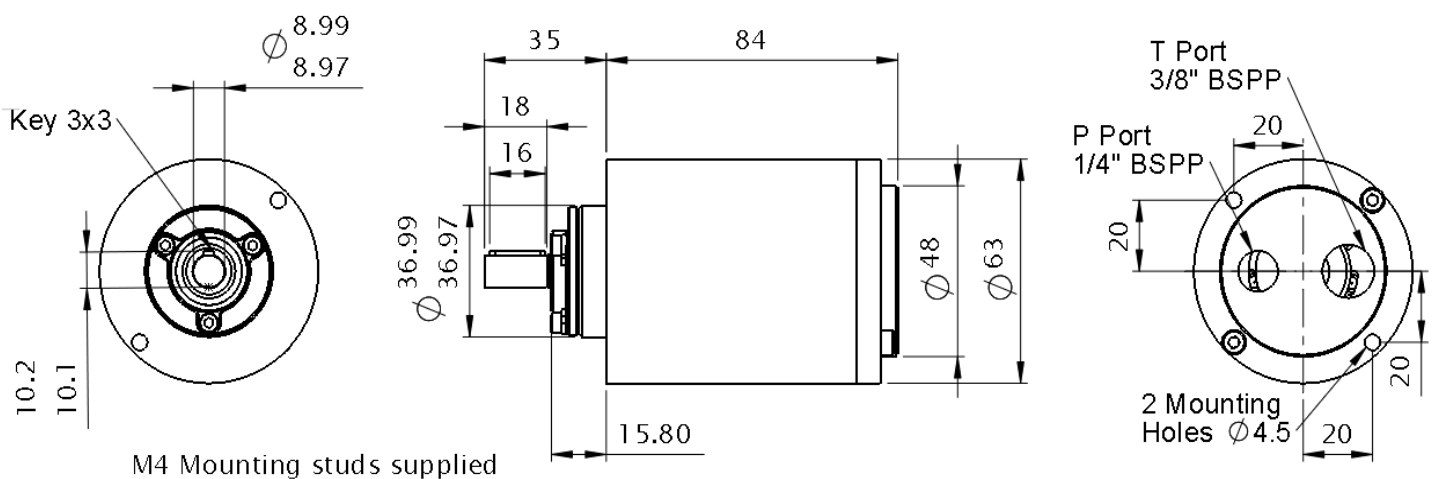


JANUS PUMPS P3 PUMP DIMENSIONS

PB160-3.0W

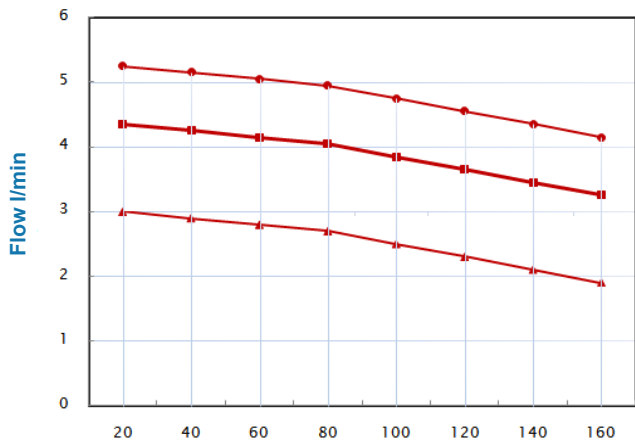


PC160-3.0W & PA160-3.0W



JANUS PUMPS P3 PUMP PERFORMANCE DATA

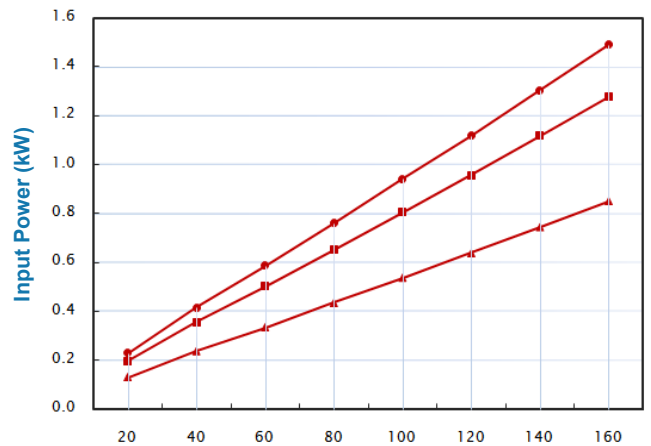
Output Flow



Pressure (bar)

● 3cc 1750rpm ■ 3cc 1500rpm ▲ 3cc 1000rpm

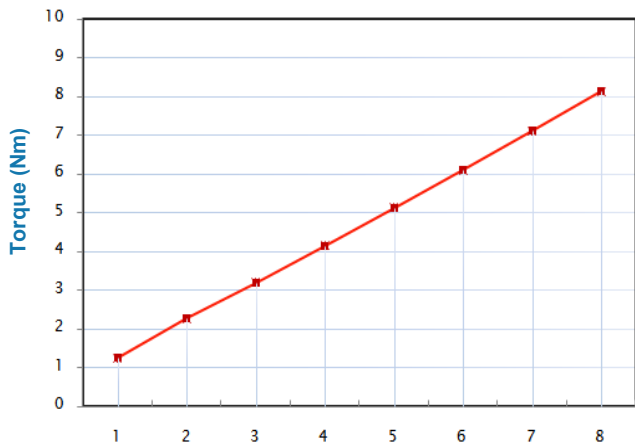
Input Power kW



Pressure (bar)

● 3cc 1750rpm ■ 3cc 1500rpm ▲ 3cc 1000rpm

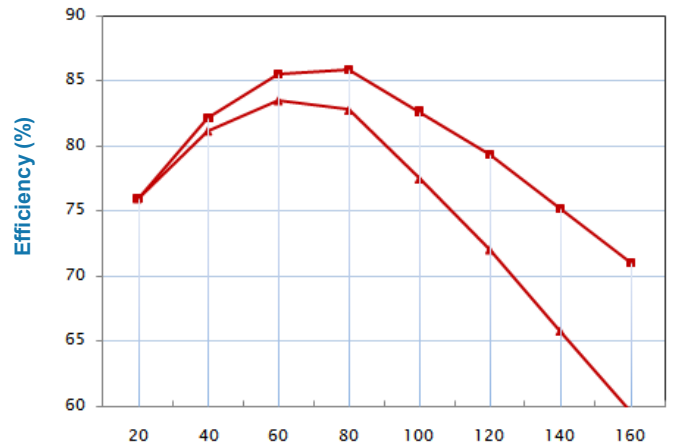
Input Torque



Pressure (bar)

■ 3cc 1500rpm

Overall Efficiency



Pressure (bar)

▲ 3cc 1000rpm ■ 3cc 1500rpm